



AUTOMATION BRAIN

Empowered by Innovation



Company Profile

Automation Brain Private Limited – ABPL

About Automation Brain



Automation Brain Pvt Limited [ABPL]

Is a specialized company in engineering, consulting and integration of automated production systems.

We provide technological solutions to a wide range of industrial sectors with help of ABPL team of experts .

ABPL focus its energy on helping our prestigious clients meet the challenges of cost controlling, globalization, competitiveness and bringing innovation.

Our company's goal is to identify the challenges in order to offer clients innovative solutions that will yield substantial saving and improve their productivity. Our teams extensive experience in industrial automation puts us in an ideal position to help our prestigious clients achieve the industrial efficiency they are seeking , minimizing cost while respecting the quality of products.

Our core business

Industrial Coding, Marking & Packaging

Industrial Inspection, Track & Trace

Industrial Labeling, Print & Apply

AIDC & System Integrations

Industrial Products Handling

Local Manufacturing / Made-in-Pakistan

Consumables & Spares

Industrial Coding & Marking

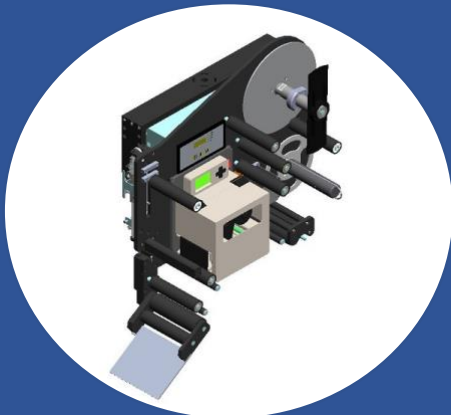
Automation Brain offers complete coding, marking & inspection products from raw material to finish goods, all of our products are worlds best and state of the art for almost all industrial sectors. Our solutions include Primary, secondary, tertiary automation including coding, marking, Packaging, inspection, and AIDC solutions.



Industrial Inspection, Track & Trace



Industrial Labelling Print & Apply



Automatic Identification & Data Capture /AIDC & System Integration



Industrial Products Handling



Local Manufacturing / Made-in-Pakistan



Consumables & Spares



ABPL After Care Support/ Complaint Cell

We offer total care services in which we take complete responsibility for the smooth runs of the equipment and also we make sure to maintain the necessary stock of spare parts and consumables. This is a hassle-free option for the large organization where they have to arrange manpower and spend a lot of money to maintain the inventory

Product Training : Product orientation, features and specification details, selection criteria.

Operational Training : Product orientation, features and specification details, selection criteria, product operation and care.

Technical Training : Technical training includes complete equipment methodology, advanced level operations and maintenance along with basic troubleshooting and spare parts replacement.

Automation Brain (Pvt.) Ltd.

- Home
- Products
- Solutions
- Projects And Case Studies
- Downloads
- News
- ABPL After Care / Complaint Cell

Products

- Industrial Coding, Marking & Packaging
- Industrial Inspection, Track & Trace
- Industrial Labeling, Print & Apply
- AIDC & System Integrations
- Industrial Products Handling
- Local Manufacturing / Made-in-Pakistan
- Consumables & Spares



Automation Brain (Pvt.) Ltd.

Address : 29D/109M, Quaid-E-Azam
Industrial Estate Kot-Lakhpat,
Lahore Pakistan

Contact No : +92 300 406 5161

Email : info@automation-brain.com

Website : www.automation-brain.com